



# Installation & Maintenance Instructions

 **RIGID CLICK** 





3

Installation & Maintenance Instructions

 **RIGID CLICK**

EN

18

Instruções de Instalação & Manutenção

 **RIGID CLICK**

PT

33

Instructions d'Installation et de Maintenance

 **RIGID CLICK**

FR

48

Instrucciones de Instalación y Mantenimiento

 **RIGID CLICK**

ES



## Installation & Maintenance Instructions

### **SPC RIGID CLICK**

We congratulate you for making the decision to purchase this high-quality product. This guide will help you install your new CORKART floor quick and easily.

Luxury Waterproof Solutions, perfect for **Big Areas** and **Easy to Install**.



OK RADIANT HEATING



WATER PROOF



ULTRA THIN

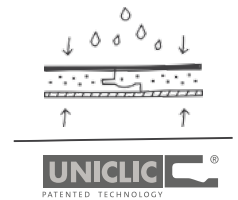


EASY TO INSTALL

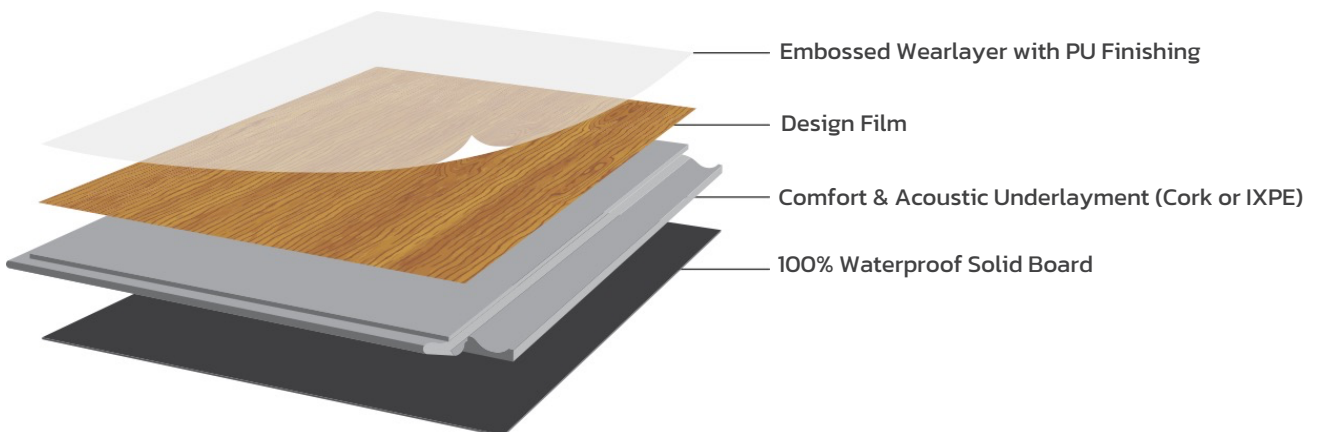


STRONG CARRIER BOARD

## **SPC RIGID CLICK**



Water resistant floating floors to fit all spaces  
Perfect solution for big areas up to 400m<sup>2</sup> without joints.



\* If an underlay is not pre-attached to your purchased floor, Corkart advises the use of a high density underlay.

---

## SUITABILITY

CORKART floors are engineered for being installed exclusively indoors.

Our CORKART SPC/SPC+ Floor uses the patented UNICLIC®. It is a revolutionary system to install floors without using glue. It uses an ingenious form of tongue and groove to click the planks together.

The CORKART floor can be installed on a range of hard, flat, and cleaned non-deformable screed/subfloors, such as: concrete; sand cement; ceramic tiles; linoleum; PVC tiles; anhydrite; wood, particle board and MDF and Magnesite.

Installation is NOT allowed over any type of carpet. Soft floors MUST be removed before installation.

## UNDERFLOOR HEATING

CORKART flooring can be used with electric floor heating only under exclusive circumstances, described below:

- heating is incorporated into a 15mm screed or leveling layer or has an on/off switch instead of a continuous system.

CORKART flooring is suitable for hydraulic floor heating.  
In both cases, the surface temperature must not exceed 27 °C (80° F).

## WATER RESISTANCE & MOISTURE

CORKART SPC/SPC+ floors are waterproof and are suitable for damp rooms such as toilets or kitchens.

When properly installed, this product can be exposed to frequent water spills or moisture from the sub-floor without swelling, cupping, or cracking.

CORKART SPC/SPC+ flooring is not suitable for shower rooms, sauna, swimming pool or other rooms exposed to excessive water & moisture.

When the subfloor has a history of high moisture, or when a water submersion or a flooding occurs, the product does not rot or get ruined, however, the water that remains undernet the floor can create conditions for growing fungus, mold or smell, discouraged for hygienic and healthy reasons.

## SUNLIGHT EXPOSURE

CORKART SPC/SPC+ can be installed under windows or glassed doors. However, some fading and discoloration can occur with direct sunlight. Preventive measures should be considered.

## TEMPERATURE VARIATION

SPC/SPC+ is suitable for big areas up to 400m<sup>2</sup> without joints. However, be aware that temperature variations have implications on the maximum size limit of the installation without joints.

## EXPANSION JOINTS

A standard perimeter expansion joint of not less than 10mm must be maintained against all fixed vertical surfaces (e.g. walls, cabinets, sliding doors, island benches, plumbing fixtures etc.).

Large objects such as kitchen island should not be placed on a floating floor. The flooring needs to be installed around the perimeter of the kitchen island or under the kick boards / fascia to allow for natural floor movement. As such, kitchen island should be assembled prior to install.

## **READ THESE INSTRUCTIONS THOROUGHLY BEFORE BEGINNING INSTALLATION.**

To ensure you will enjoy your CORKART flooring for a long time, please follow carefully the installation instructions.

## PLANNING THE FLOOR INSTALLATION

### INSTALLER/OWNER RESPONSIBILITY

You should always add 5% to 10% cutting allowance to the actual square footage amount needed for regular installation waste.

We urge you to always inspect and confirm the perfect condition of the goods delivered PRIOR to installation.

Planks that show defects should not be used and you should stop work immediately and inform your dealer (duty to inspect and care). Goods already placed or cut are excluded from claims for damages and exchanges. Manufacturer declines responsibility for any costs incurred when plank(s) with visible defects have already been installed.

CORKART SPC/SPC+ flooring has a wood or natural stone look. The boards are deliberately structured and different and there may be small color and structure variations between the sample and the material produced. Small differences in color and structure, even within a package, are therefore not grounds for complaints, but should emphasize the authenticity of appearance.

For best visual effect and a balanced installation, use planks from several cartons. We recommend to mix them and plan the layout prior to placement (open 3-4 packages).

## CONDITIONING

Before starting the installation of the CORKART floor, the packages should be stored closed, horizontally and in small piles (lying down) in the room where the floor will be placed later, for at least 48 hours.

CORKART flooring is best installed at a comfortable room temperature of 18 °C-23° (64-73° F). If the conditions at the time of installation are extreme, it has implications on the maximum size limit for installation without joints. Please check Size of Installation (limit) section.

## PRE-INSTALLATION JOBSITE REQUIREMENTS

The first thing to do when installing a vinyl floor is to thoroughly inspect the existing floor.

## SUBFLOORS & FLOOR PREPARATION

### SUBFLOOR REQUIREMENTS

Subfloors shall be smooth, dry, clean, and free from grease and chemical substances. The surface must be hard and dense, free from powder or flaking & variations should not exceed 2mm each 2 meters.

Is recommended to remove old skirtings and install new ones after the floor installation.

Use a moisture meter and keep track of the moisture content. The maximum residual moisture permitted as a percentage of the screed is:

- <0.5% CM anhydrite subfloor
- <0.2% anhydrite subfloor with underfloor heating
- <2.5% sand cement / concrete screed
- <1.5% sand cement with underfloor heating
- <14% wood in MDF

Corkart does **NOT** warrant nor is responsible for damage to floor covering due to moisture related issues.

## INSTALLATION OVER WOOD SUBFLOORS

Do not install material over wood subfloors that lay directly on concrete or over dimensional lumber or plywood used over concrete. Wood will rot after time because the moist is blocked by the new flooring and underlay.

Corkart floors can be installed over wood that are not applied over concrete. In this case **DO NOT** apply PE sheet over wood subfloors.

Check for any traces of mold and/or insect infestations.



## Installation & Maintenance Instructions

### **RIGID CLICK**

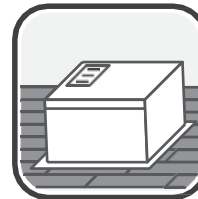
### Installation Guidelines angle-angle / angle-tap

Corkart provides these installation guidelines for general information purposes only and makes no warranties or representations regarding their accuracy, completeness or suitability for any specific purpose. Corkart shall not be held liable for any errors, issues or any outcomes resulting from the use of these guidelines.

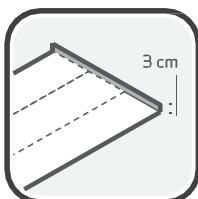
This disclaimer of liability applies to any damages, whether direct, indirect, incidental, or consequential, arising from the use of these guidelines.



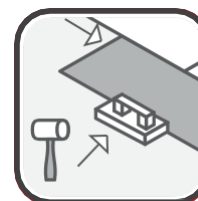
Before installation, the material must be kept at a temperature of 18-23°C in the application area for at least 48 hours. The floor where the material will be installed must be clean, level, and without bumps (any holes or prominence can damage the material).



Fixed furniture cannot be above the floor, such as kitchen islands or built-in wardrobes. Loads must not exceed 200 kg/area of the object or exceed 30 kg/cm<sup>2</sup>.



Before installing the material, and whenever the floor allows moisture passage, apply a vapor barrier / polyethylene sheet.



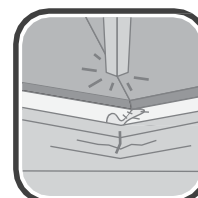
The boards must be properly fitted, and the clicks should be securely locked, using the appropriate tools until a perfect fit is achieved.



A 10 mm expansion joint must be maintained around the perimeter of the flooring and fixed components (kitchen islands or door frames...). Floating floors need to contract and expand freely, so the material cannot be fixed, glued, or screwed at any point, either with glues or silicone.



The end joints between rows of the floor must be staggered by a minimum of 300 mm to create a staggered effect.



Do not use underlays with low density or high compression percentage to avoid breaking the floor's clicks and damaging it.



## Preparation: Tools



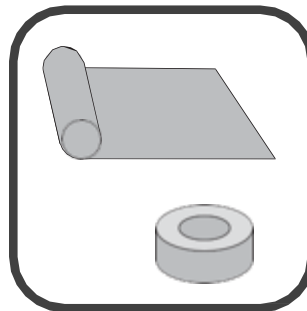
### ROOM PREPARATION

- Pencil and notepad
- Tape measure / Folding rule
- Steel square / Bevel tool
- Level
- Vacuum



### DURING INSTALLATION

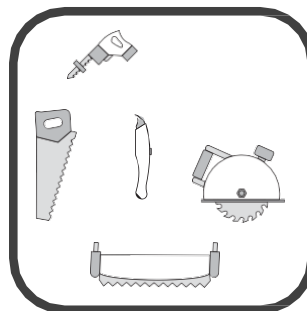
- Hard mallet
- Tapping block for locking systems
- Pull bar
- Spacers
- Gloves



- Vapor Barrier (PE sheet)
- Tape (to fix PE sheet)

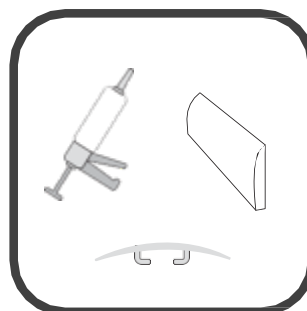
If the panels do not have a pad pre-attached consider:

- High density underlay
- Tape (to fix your underlay)



### CUTTING THE PANELS

- Handsaw / jigsaw / crosscut saw / plunger saw / table saw
- Concave cutter knife



### FINISHING THE ROOM

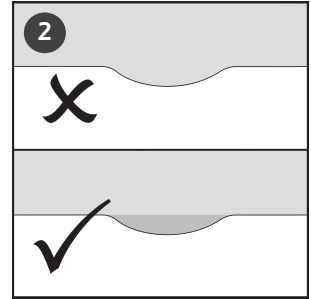
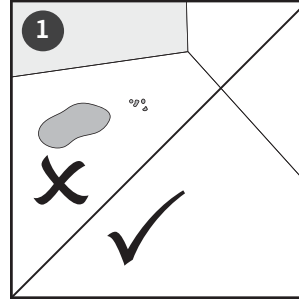
- Skirting
- Silicon kit
- Expansion / adapter / end profiles



## Preparation: The room

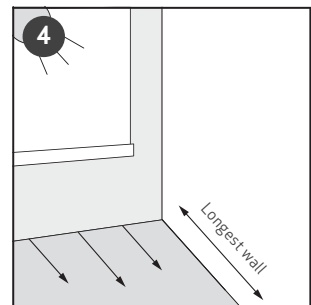
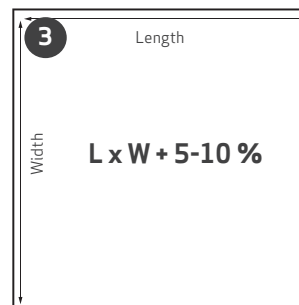
### CLEAN SLATE

- If applicable, remove skirtings
- Remove all soft flooring (e.g. carpet)
- Make sure the sub-floor is dry and free of any grease, chemical residue or glue
- Ensure a level and dry surface, smooth out bumps or irregularities
- Cement joints and gaps deeper than 2mm and wider than 4 mm must be filled and leveled.
- Uneven areas over 1 mm in 20 cm or over 2 mm in 2 meters must be corrected.
- Vacuum thoroughly to remove all debris and dust



### CALCULATE SURFACE AREA

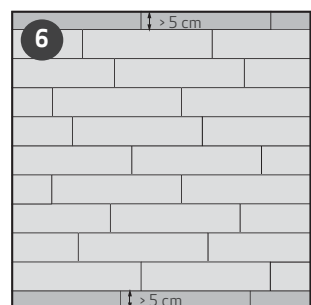
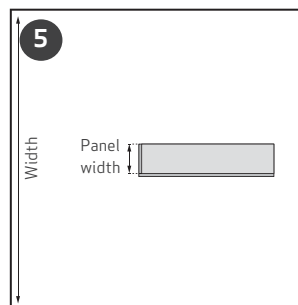
- Width x Length + 5-10% cutting waste
- Make accurate measurements to ensure a smooth installation
- Take notes to avoid mistakes
- Plan the flooring along the longest wall or in the direction of the light for the most pleasing visual appeal.



### CALCULATE THE AMOUNT OF ROWS

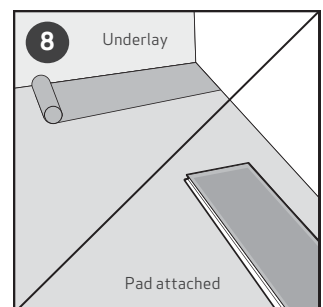
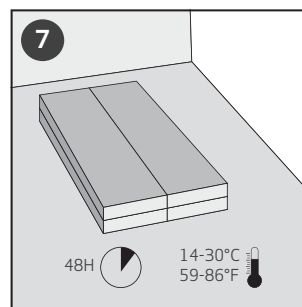
- Divide the room width by the board width:  

$$\frac{\text{Room width}}{\text{Board width}}$$
- Distribute the remaining space evenly between the start and end rows. Ensure that each piece is at least 5 cm wide.



### PREPARING THE PANELS

- Acclimatize the panels in the middle of the room for 48 hours in the box
- Make sure to follow the instructions on the box before beginning the installation
- Shuffle panels from different boxes to ensure an even distribution of color and pattern
- Inspect the panels for damages
- Use an underlay if there is no pad attached

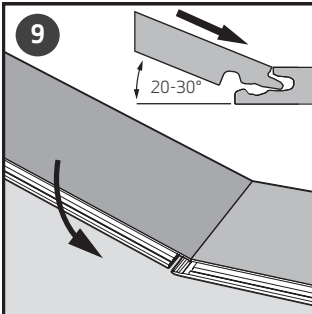




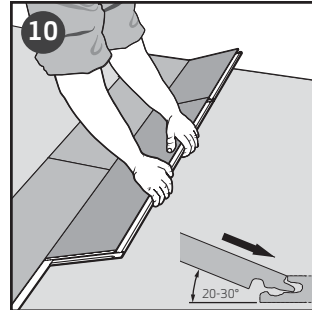
Angle-angle installation is recommended for most of the room, with edge panels finished by tapping. The tongue-and-groove method is the most commonly used and easiest to install.

## Installation: Locking

### INSTALLATION METHOD A: ANGLE

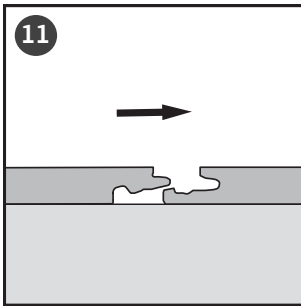


Start on the short side. Position the panel at an angle of 20-30° to the panel that is already installed, and angle .

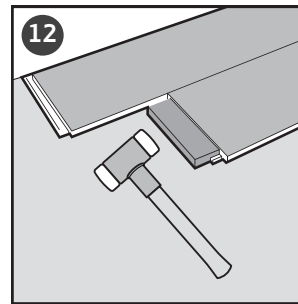


Place your hands close to the joint and move the panel up to an angle of 20-30°. Pull the panel towards the installed panels and angle down.

### INSTALLATION METHOD B: TAP

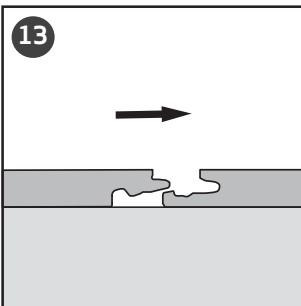


For hard to reach panels, use the tapping method. If possible, angle in one of the sides. Angle down and position the click systems as close as possible.

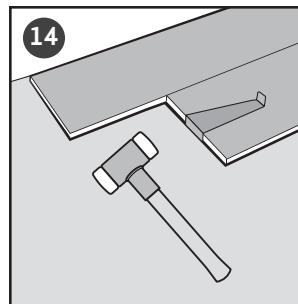


Use a tapping block and position it against the locking system. Gently tap the block with a hammer to gradually connect the panels in a few taps.

### FOR HARD TO REACH AREAS

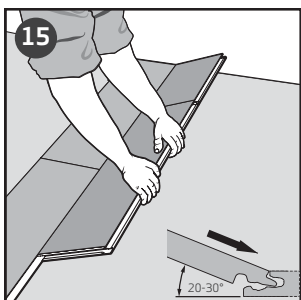


For areas where it is not possible to use angling or a tapping block, such as the end panels against the wall, use the pull bar with the tapping method.

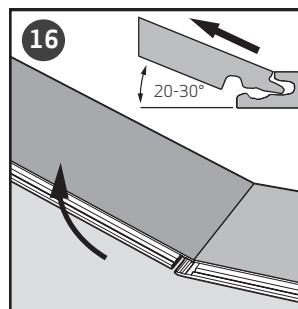


Use a pull bar and position it against the locking system. Gently tap the pull bar with a hammer to gradually connect the panels in a few taps.

### DE-INSTALLING THE PANELS



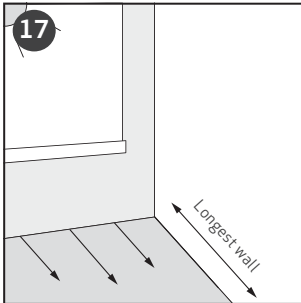
Start by angling out the complete row on the long side of the panel by lifting up to about 20-30°.



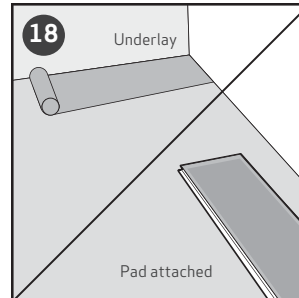
Angle up the end of the panel to angle out the short side.

## Installation Pattern

### DIRECTION OF THE ROWS

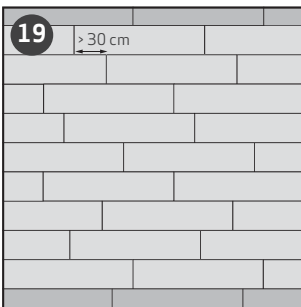


Plan the floor along the longest wall or light direction for the most pleasing visual appeal.

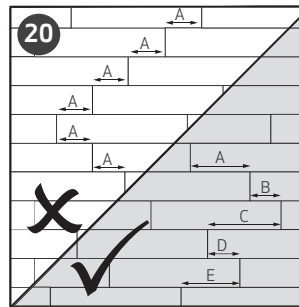


If there is no pad attached to the panels, roll out the underlay in the same direction of the floor.

### STAGGERING

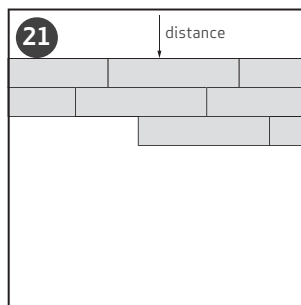


Make sure the panels always stagger for at least 30 cm.

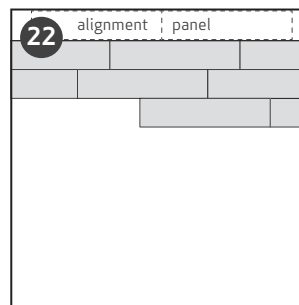


Stagger the panels randomly to avoid a staircase pattern and ensure a strong click connection.

### START POSITION

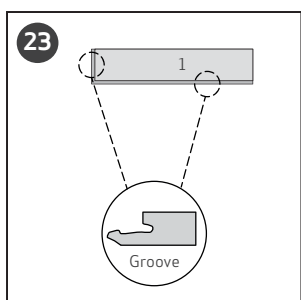


**Option 1**  
Start by laying the first row at a little distance from the wall.

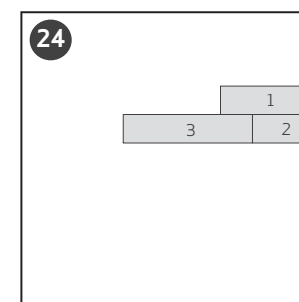


**Option 2**  
Use a few floor panels as a tool to align the first row.

### FIRST PANELS



Start by positioning the first panel with the groove sides pointing away from the start walls.



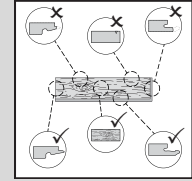
The first panel will serve as a base to install panels two and three.



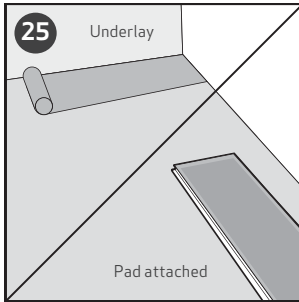
## Installation: First rows

### SUBFLOOR

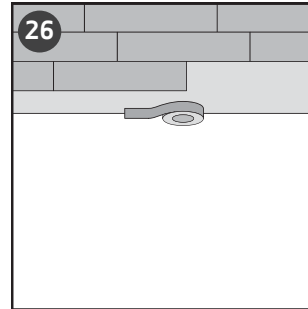
Check all panels before and during installation for damage or visible defects.



It is recommended to use a vapor barrier (PE sheet) with at least 0,2 mm thick under the CORKART floor, unless the installation is over a wood subfloor. A PE sheet is recommended for health and hygiene reasons. CORKART will not be responsible for the degradation of the product in the case of non-use of the PE sheet. Lay the PE Sheet and let the edges of the film overlap about 20 cm and tape together. On the walls, the film should be about 3 cm high, which will be covered by any skirting installation.

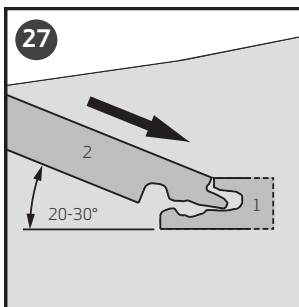


If you purchased a Corkart product with an underlay integrated into the planks, it is not necessary to apply another underlay of this type.

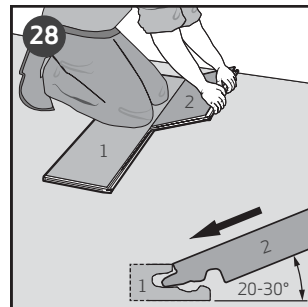


If not: Apply a high-density underlay, parallel to the floor direction during installation. Start each new row of underlay upon reaching that point in the floor installation.

### ANGLE IN THE SECOND PANEL

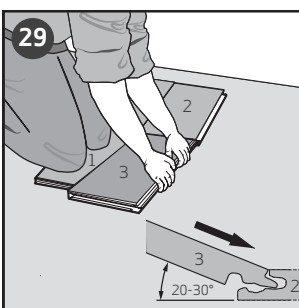


Place the tongue of the long side of panel 2 into the groove of the long side of panel 1 at 20-30° and angle down.

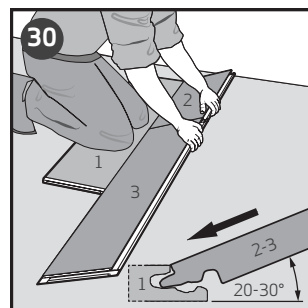


Sit with your knees on the panels to secure them during installation and keep them in place.

### ANGLE IN THE THIRD PANEL

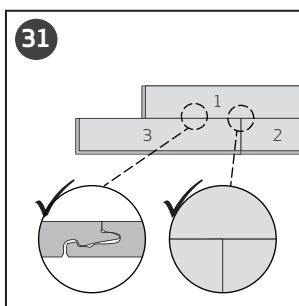


Angle in the short side of panel 3 into the short side of panel 2 at 20-30° and angle down.

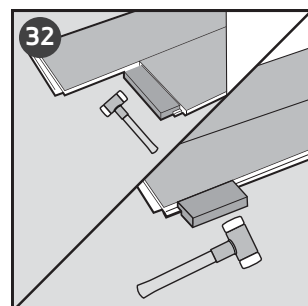


Place your hands near the joint and slide panel 3 towards panel 1. Tilt the row of planks 2 and 3 upwards at an angle of 20-30°. Tilt down to completely join the boards.

### MIND THE GAP



After installing a panel, check if all joints are fully connected and there are no gaps or height differences.

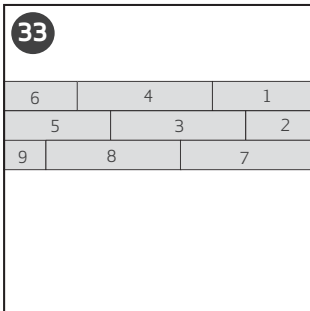


To ensure all gaps are closed, gently tap the tapping block with a hammer to completely close the joints.

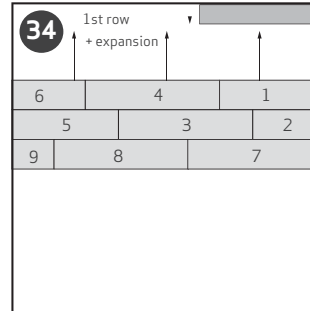


## Installation: Continue

### INSTALL ROW 1-3

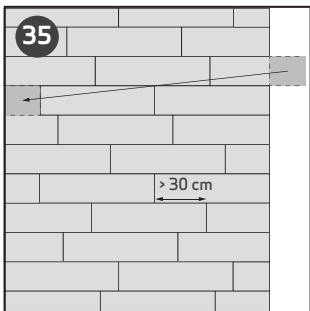


Continue installing the rest of the panels for the first three rows in the order of the drawing.

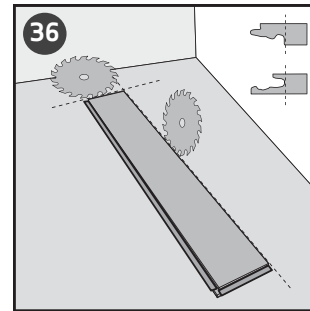


Move the rows closer to the wall, leaving a distance equal to the width of the start row plus the expansion gaps. Ensure the start row is at least 5 cm wide.

### EDGE PIECES

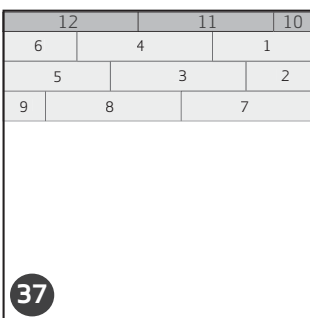


Tip: use the leftover of the sawed off panel to start the new row. Stagger the panels randomly and use an overlap of at least 30 cm to ensure a strong connection.

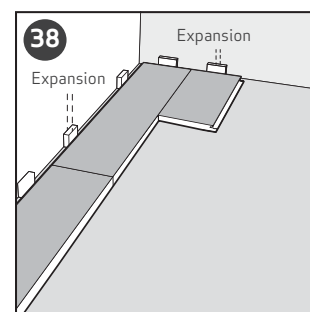


Remove the click profile on every side directly next to the wall to ensure the required expansion gap.

### MOVE THE ROWS TO THE STARTER WALL

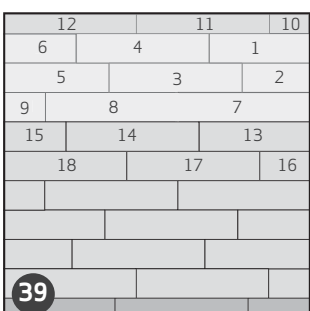


Install the start row by angling in the panels. Use the pull bar and hammer if necessary.

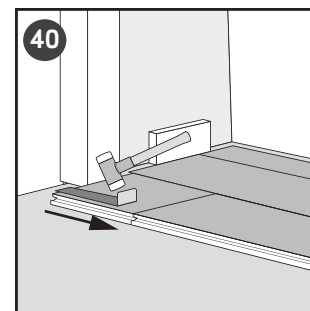


Place the spacers to ensure the correct expansion gap, of at least 10mm.

### CONTINUE THE INSTALLATION



Continue installing the rest of the panels row by row in the order of the drawing.

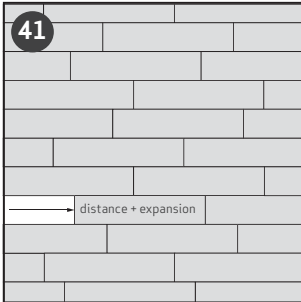


For edge pieces close to the wall, use the pull bar and hammer to completely secure the locking system. Gradually connect the panels in a few taps.

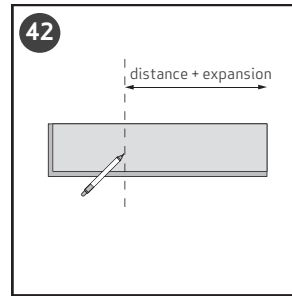


## Installation: Correct size

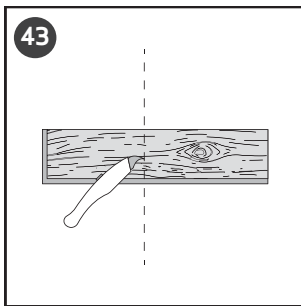
### EDGE PANELS



- Measure the size for the edge piece
- Keep the expansion gaps into account and add them to the distance from the wall

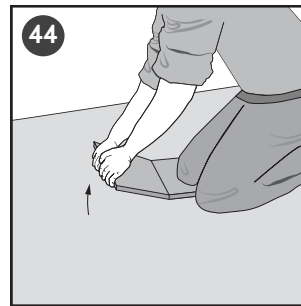


- Pencil the cutting line on your panel
- Use a ruler or another floor panel to ensure a straight line

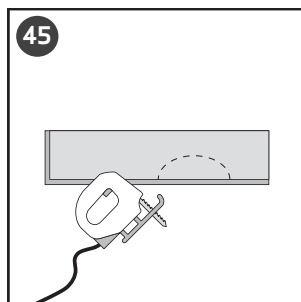


#### For straight cuts

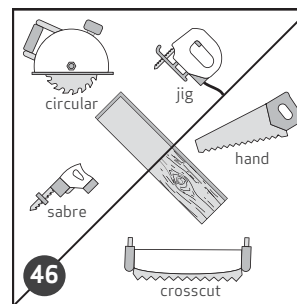
- Cut the panel with a sharp concave cutter knife
- Always cut with the design facing upwards



- Lay the panel with the design facing downwards
- Snap the plank in two
- Use your knees to hold the panel



- For other shapes  
Use a saw to cut the panel to size



- Design facing down:  
jigsaw, saber saw or circular handsaw

- Design facing up:  
handsaw or crosscut saw

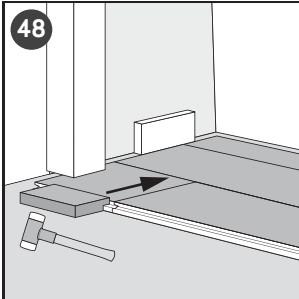


## Installation: Finishing

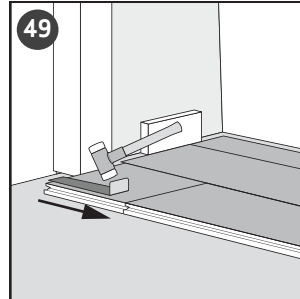
### UNDER DOOR-FRAMES



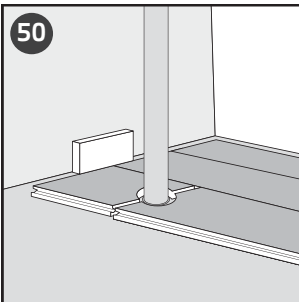
Undercut the door-frames or moldings to enable the expansion of the panels.



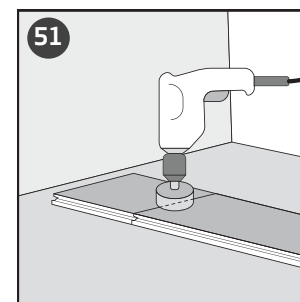
Install the panel on the long side with a tapping block or pull bar. Gently tap with a hammer to gradually connect the panels in a few taps.



Slide the panel towards the already installed panels and gradually lock the short side of the panel with a tapping block or pull bar and hammer in a few taps.

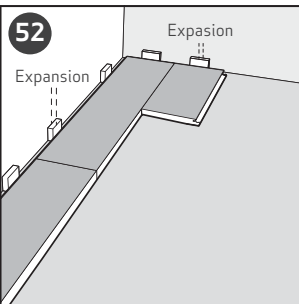


In rows where the flooring meets a pipe, ensure the pipe aligns exactly with the short sides of two panels.

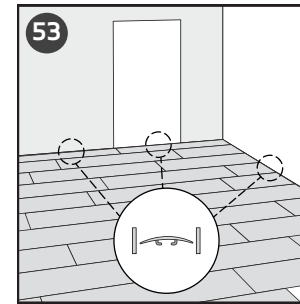


Click the panels together on the short side. Drill a hole centered on the joint between the two panels of the same diameter as the pipe plus 20 mm (3/4").

### ROOM FOR EXPANSION

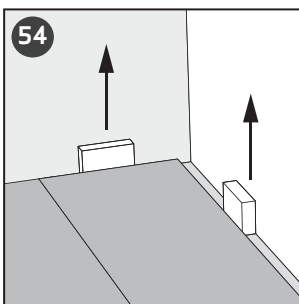


The floor must be able to expand and contract with changes of temperature and humidity. Leave a gap of at least 10mm between the plates and the wall or other fixed components.

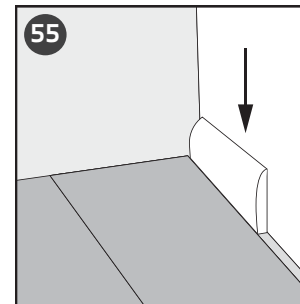


Provide expansion joints between different rooms, if there are large temperature variations between them; or in the same area if it exceeds 400m

### FINISHING



After the floor and expansion profiles are completely installed, remove all spacers from the room(s).



Install skirting on the walls over the expansion gaps to complete the room.



## SIZE OF INSTALLATION (LIMIT)

If the temperature variation ( $\Delta T$ ) between installation and use don't exceed 10°C (50° F), installation in areas up to 20x20m (400m<sup>2</sup>) are allowed.

If exceed the area recommended is 15x15m (225m<sup>2</sup>).

Example:

$$\Delta T = 10^{\circ} C$$

When installing at 20° C (68° F) the minimum temperature of the room should not be lower than 10° C (50° F) and maximum temperature should not exceed 30° C (86° F).

## PREVENTIVE AND MAINTENANCE TIPS

### GENERAL CARE AND MAINTENANCE

To maintain your floor in excellent conditions you can follow certain procedures:

- Use doormats outside each entrance to your home to prevent dirt, sand, grit and other substances from being tracked onto your floor.
- Use non-staining mats on your floor. Do not put rubber-backed, latex-backed or coco fiber mats on your floor because they will stain or damage the surface.
- Support furniture with wide-bearing, non-staining floor protectors to avoid scratches. Ideally, the protectors should be at least 25mm in diameter, made of non-pigmented hard plastic, and rest flat on the floor. Non-staining felt protectors are also acceptable.
- Use protection mats under chairs with caster in order to avoid abrasion of the vinyl flooring. Make sure that any metal protectors are rust-proof.
- If you need to move heavy furniture and/or appliances across the floor, always use strips of wood, plywood, or hardboard runways to protect the floor.
- Always use runways even if you have an appliance dolly, or even if the heavy objects are equipped with wheels or rollers.



## CLEANING

Proper care and cleaning are an important part of maintenance.

Sweep or vacuum floor frequently to keep your floor clean and in order to avoid buildup of abrasive particles. Dust and dirt behave like sanding paper and its important to be removed.

Cleaning should be done with a damp mop, using neutral products. Do not use aggressive agents and / or solvents or contain glycerin.

Sweep your flooring regularly with a damp cloth and PH neutral at least once a week. Prevent stains by wiping up spills promptly.

Do not use wet maintenance.

## SUNLIGHT EXPOSURE

Vinyl flooring may change colour when exposed to sunlight. It is important to protect the floor from exposure to direct sunlight to avoid fading and discolorations. We recommend using curtains or other systems of UV screening and to close your curtains or blinds where extreme sunlight hits the floor to minimize the effect of sun exposure.

## MAINTENANCE

Maintenance caring is recommended from time to time to refresh the protective layer. First clean your floor and then apply a thin layer or a recommended maintenance product.

## IMPORTANT NOTES

Our written technical advice is based on tests but is only a non-binding indication and does not exempt you from the testing of the products provided by us for its suitability to the intended procedures and purposes. The installation use and processing of the products are beyond our control and, therefore, are your sole responsibility.

Thanks to the secure patented UNICLIC® system of our SPC / SPC+ Corkart flooring, installation is easier and costs are drastically reduced ensuring same-day walk-on.



Enjoy your CORKART floor!

For further information or concerns please contact your dealer.